

Details make the difference between an ordinary product and an outstanding value.

Precedent® Workstation
Design: Mark Müller

nienkämper



Every Precedent element is designed down to the smallest detail. Accurate connections ensure easy installation, and height adjusters, accessible from the interior, make it possible to level the furniture without lifting it. On overhead doors, concealed indentations eliminate the clutter of visible hardware. Overhead lighting is also standard. Tack panels and panels below work surfaces are removable for convenient access to voice/data/power connections. Work surfaces and drawer fronts have extra-thick, solid wood edges. Drawers glide silently into position and have textured, matte black interiors. Pedestal storage units are available in two sizes. One holds letter-size files parallel to the drawer front. The maximum-capacity alternative holds legal size files aligned at 90° to the drawer front.



To suit all veneer options, cast zinc pulls come in three finishes: Brushed nickel pull on Natural Maple



Textured graphite black pull on Natural Figured Anigre



Low luster black pull on Burnt Walnut



Precedent® Workstation
Design: Mark Müller

Work Surfaces:

Tops are 1 1/4" thick, standard flat cut, book matched wood veneer with solid wood Facet™ edge; available in standard Nienkämper wood veneers and stains. Asymmetrically radiused tops can be used to create workstations with soft shapes and curves. For heavy use areas, plastic laminate work surfaces with solid wood Facet edges are available.

Credenzas and Returns:

Credenzas are available in a variety of sizes and configurations. The smallest and simplest is a two-pedestal unit, 31" wide. Credenzas can be specified with legal or letter width interiors. Returns are a minimum of 42" long and can be 24" or 30" deep.

Cases, Pedestal Fronts and Drawer Pulls:

Cases and pedestal fronts are wood veneer. Drawer pulls are cast zinc finished in brushed nickel, low luster black, or textured graphite black. Mobile pedestals (shown in centerfold) match Precedent details.

Locks:

With a quarter turn of one key, an optional gang lock system locks all doors and drawers located on either side of the credenza. Locks on desk pedestals and on knee space credenza pedestals are located in the knee space.

Workwalls and Storage Closets:

Cases and fronts are wood veneer. Overhead doors are opened via a concealed, scalloped indentation at the lower edge, which eliminates the need for exposed hardware. Closets can be configured to provide a range of storage options, including space to hang a coat.

Tables:

Nienkämper tables in a variety of shapes and sizes complement The Precedent® Collection and can be specified with the Facet edge. The Luna™ table (shown in centerfold) attaches to the credenza with a pivot mechanism that allows it to be repositioned as required.

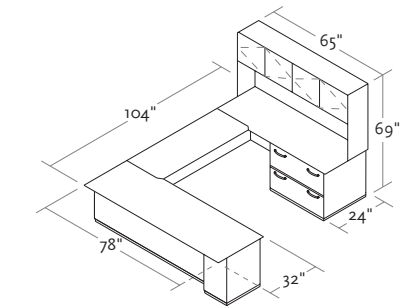
Refer to the office seating section of the Nienkämper catalogue for details on the Sedus Y2K chair shown in centerfold.

www.nienkamper.com
mail@nienkamper.com
800 668 9318

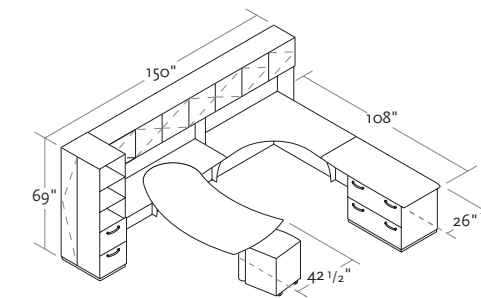
nienkämper

The Precedent® Collection offers a comprehensive range of modular components that can be combined to create simple office layouts or extensive management and executive work spaces. All components are available in a wide range of finishes that have been formulated for beauty and durability. Nienkämper is committed to providing exceptional value without compromising quality, craftsmanship, design or service.

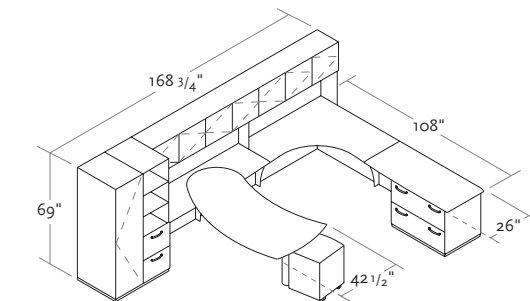
PRWo09R Precedent U-shaped workstation
w 78" d 104" h 69"



PRWo20R Precedent workstation with Luna™ top, single storage tower and side coat closet
w 108" d 150" h 69"



PRWo24R Precedent workstation with Luna™ top, single storage tower and coat closet
w 108" d 168 3/4" h 69"



ICF group

ICF group

www.nienkamper.com mail@nienkamper.com 800.668.9318



©2009 Nienkämper

Precedent® Workstation
Design: Mark Müller

Workplace furniture that combines clean, classic lines with the natural beauty of wood always makes a professional impression and never goes out of style. That's why modular, versatile Precedent represents enduring value. Nienkämper's remarkable expertise using

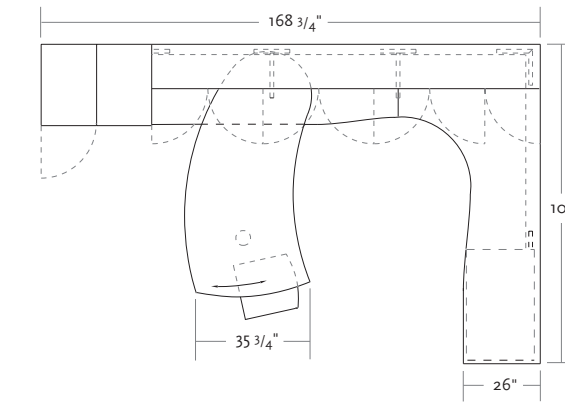
natural and stained veneers is evident in the careful matching of adjacent panels, and in the way the wood wraps smoothly around work surface edges. Precedent's durable finish ensures that all wood veneers and finishes will look their best for years to come.



Precedent Workstation with Luna top, single storage tower and coat closet



Precedent desk with return



Precedent Workstation with Luna top, single storage tower and coat closet

With Precedent's extensive array of work surfaces and storage components, virtually unlimited configurations are possible. Elements such as a pivoting table add flexibility to management and executive spaces. Simpler layouts maintain design integrity while incorporating cost-effective panel support structures.